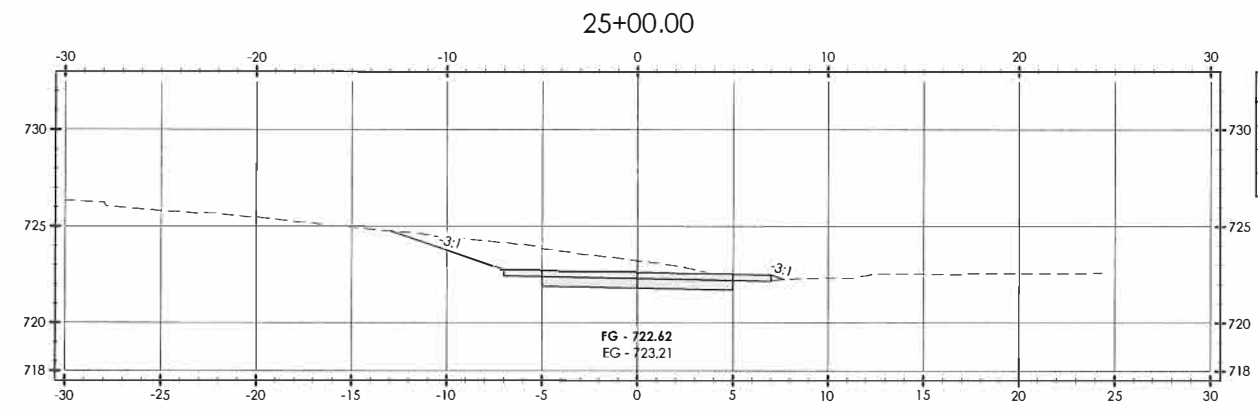
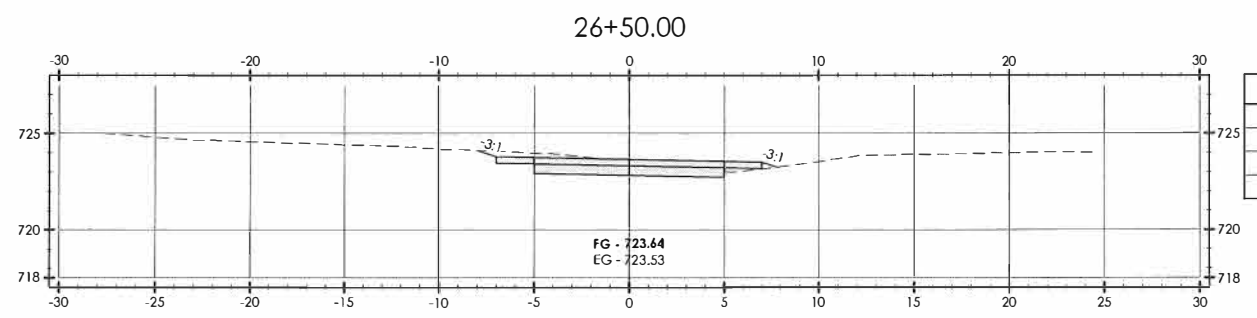


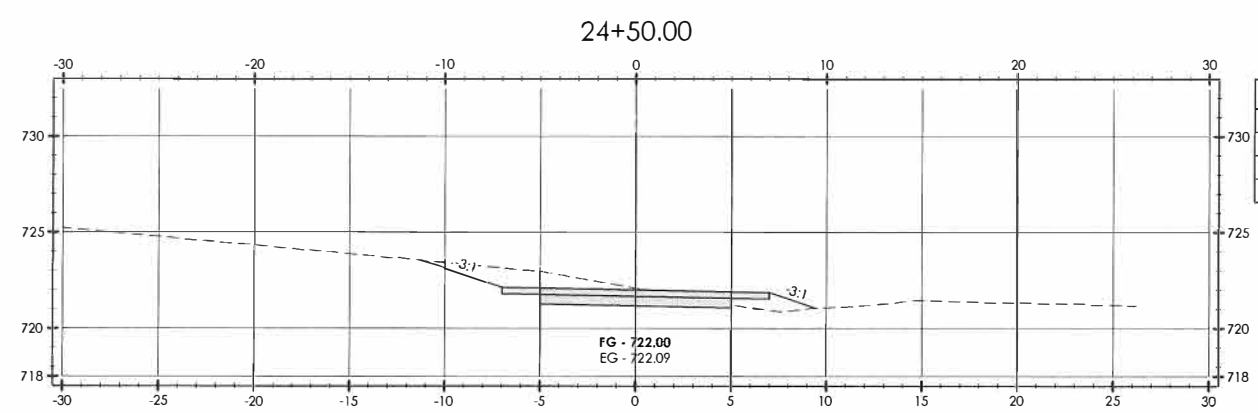
OKLAHOMA DEPARTMENT OF TRANSPORTATION					
FED. ROAD DIST. NO.	STATE	PROJ. NO.	FISCAL YEAR	SHEET NO.	TOTAL SHEETS
6	OKLA	28844(04)			
DESCRIPTION			REVISIONS	DATE	



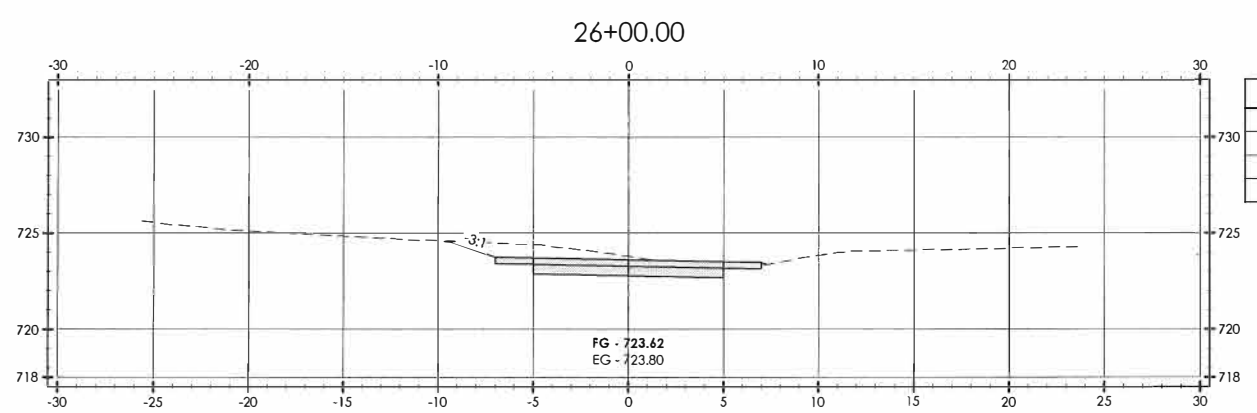
Trail Station 25+00.00	
Cut Area	21.81 SF
Cut Vol	33.19 CY
Fill Area	0.21 SF
Fill Vol	2.07 CY



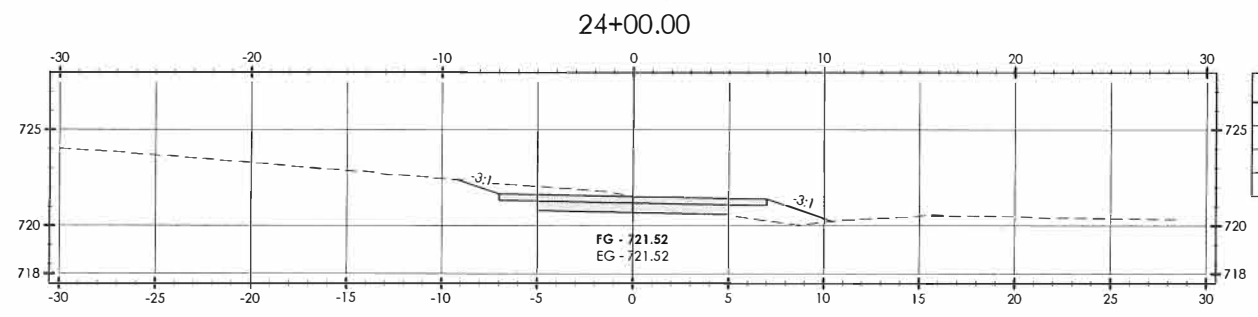
Trail Station 26+50.00	
Cut Area	8.81 SF
Cut Vol	20.69 CY
Fill Area	0.36 SF
Fill Vol	0.40 CY



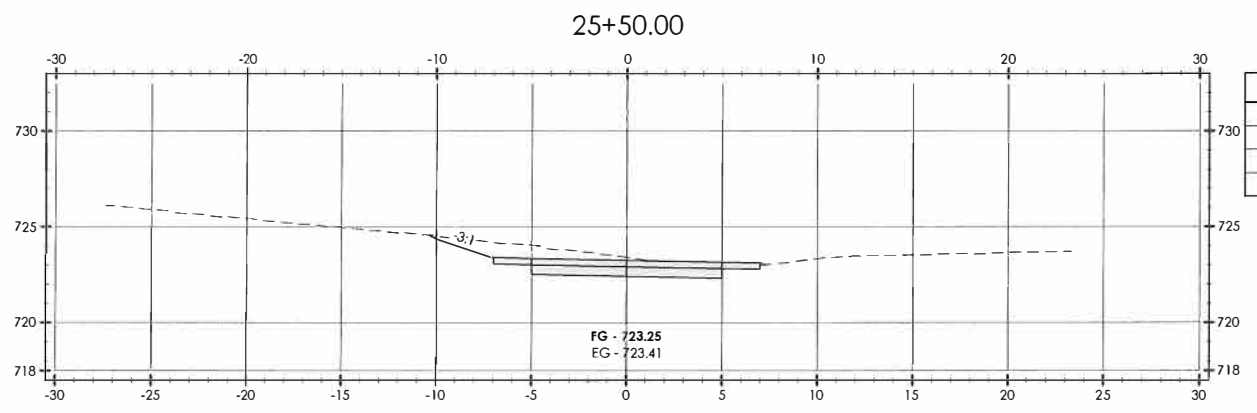
Trail Station 24+50.00	
Cut Area	14.09 SF
Cut Vol	22.33 CY
Fill Area	2.02 SF
Fill Vol	5.07 CY



Trail Station 26+00.00	
Cut Area	13.56 SF
Cut Vol	25.70 CY
Fill Area	0.07 SF
Fill Vol	0.10 CY



Trail Station 24+00.00	
Cut Area	10.11 SF
Cut Vol	20.36 CY
Fill Area	3.41 SF
Fill Vol	4.87 CY



Trail Station 25+50.00	
Cut Area	14.23 SF
Cut Vol	33.31 CY
Fill Area	0.04 SF
Fill Vol	0.24 CY

F:\582 Sand Springs Park Road Trail\Final\Civil 3D - Base Files\ParkRoadTrail-BASEL-Final-R1.dwg, 6/12/2017 3:52:13 PM



City of Sand Springs - Park Road Trail		PREPARED BY: LANDPLAN CONSULTANTS	Tulsa County
Design	JM 7/16		
Drawn	JM/BB 8/16		
Checked	KF/JM 6/17		
Approved			
Squad	LandPlan	STATE JOB NO. 28844(04)	Sheet No. 52 of 63

CROSS SECTIONS SHEET (9)